

Rangetop Foster Milano

Rangetop and Top inox

Code: 3166 000



DETAILS

Texture Brushed in line

Material AISI 304 stainless steel

Dimensions 1200x650 mm

Full description 120 cm gas hob - 6 burners

Heating element six burners

Built-in hole 1120x620 mm

Grids Cast iron grids and enamelled burner covers

Total power 15.900 W

Auxiliary 1.000 W

Semirapid 2x1.750 W

Rapid 3.000 W

Dual 2x4.200 W

Safety Safety valve with quick-acting thermocouple

Block type Bloquear cocción a gas

Ignition Electric ignition under knob

Gas type Tested for installation with natural gas, LPG nozzle set included.

Type Gas Hob

FEATURES

Under-knob ignition The utmost freedom of movement with electronic under-knob ignition, a common feature of all models that allows a one-hand ignition of the burner.

Aeo burners The AEO burners guarantee up to 25% energy saving compared to standard burners. All models are designed with The Dual burner with 2 independent crowns, controlled by a single knob, delivers from 1 to 5KW, a power that can only be found in professional models.

Special burners Many Foster hobs are equipped with special burners, with two or three rings of fire that greatly increase the power delivered and the heated surface. In the DUAL models the two fire crowns also have independent ignition, making these burners perfect for both intensive and delicate cooking.

Safe cooking All Foster cooker hobs are equipped with safety valves. They shut off the gas supply very quickly if the flame accidentally goes out.

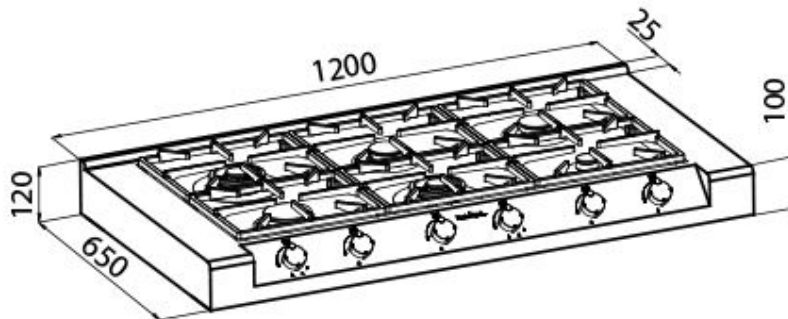
XXL grids

The weighty enamelled cast iron grid has extraordinary dimensions, 33x25 cm, with a working surface up to 50% bigger compared to a standard cooker hob. Now you can use all the burners at the same time even with large cookware.

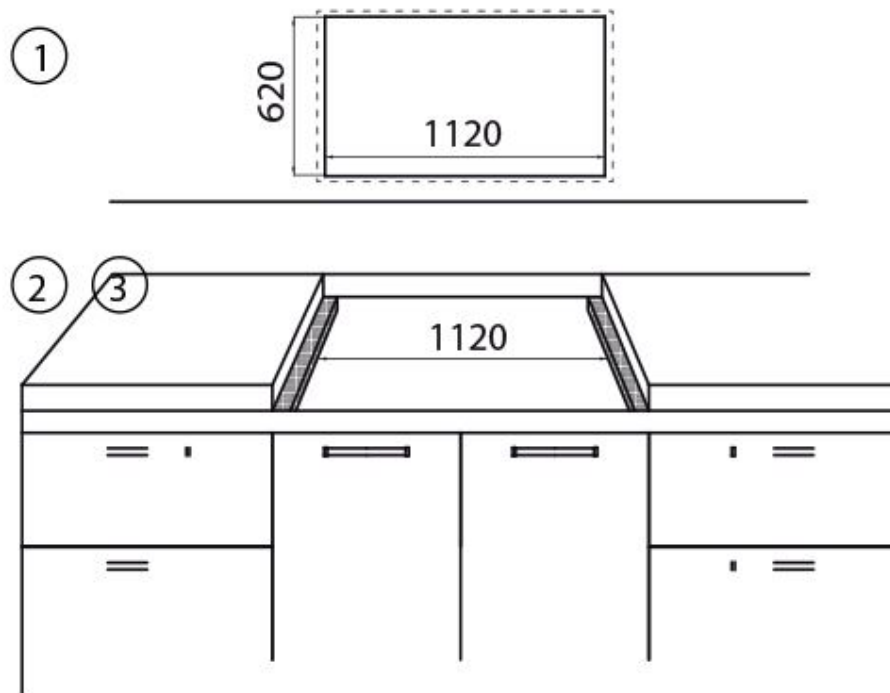
Cast iron grids

Cast-iron is the ideal material for an hob grid, this due to the manifold properties characterising it: high heat capacity that improves cooking performance; high weight and stability that improve safety; sturdiness that preserves the hob's original aspect over time; easy cleaning.

TECHNICAL DATA



Incasso



GALLERY

